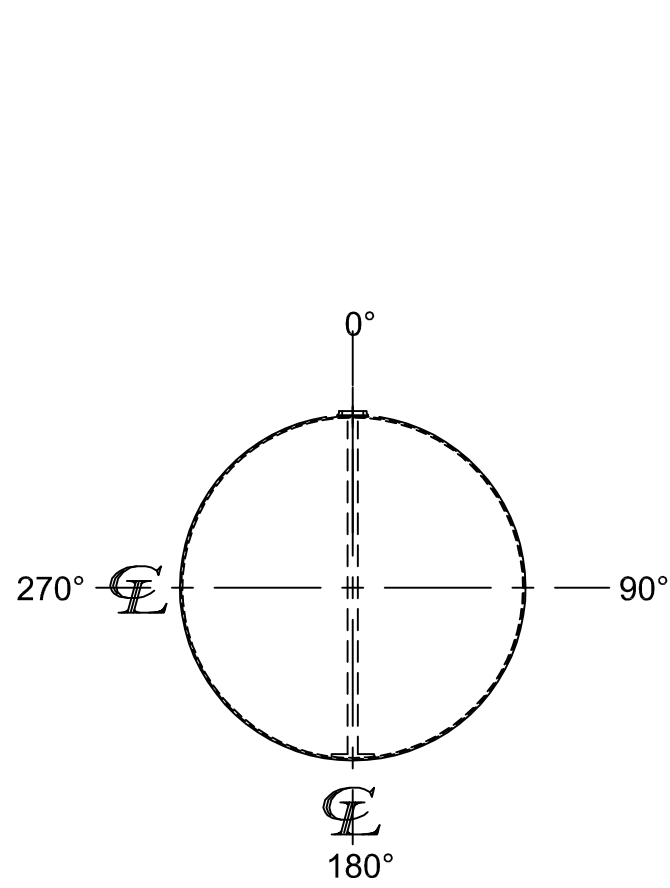
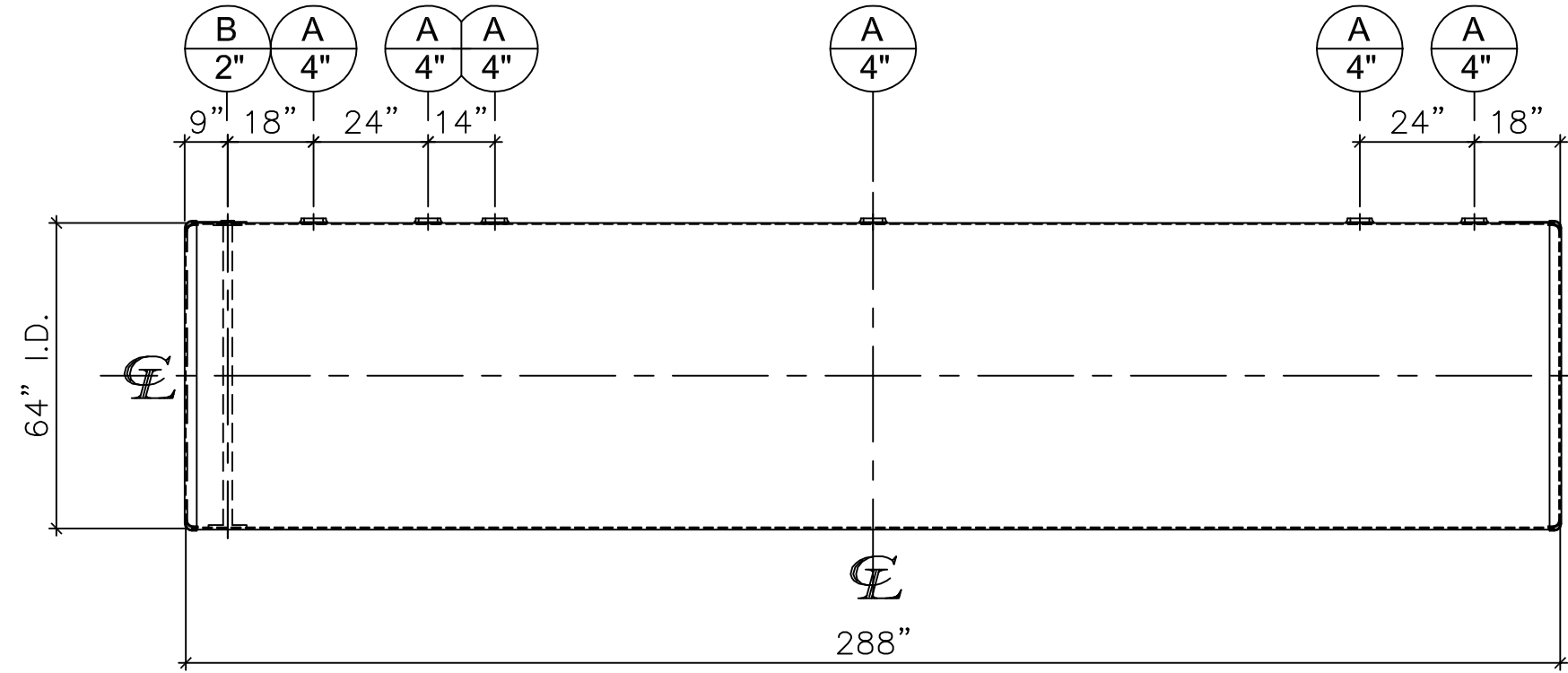


NOZZLE SCHEDULE								
ITEM	SIZE	RATING	TYPE	MATL.	PROJ. IN	PROJ. OUT	REMARKS	NOTES
A	4"	N.P.T.	W.F.	C.S.	STD.	STD.	-	-
B	2"	N.P.T.	M.F.	C.S.	STD.	STD.	-	MONITORING PORT



LEFT SIDE

SCREW IN LIFTING LUG (TYP.)




FRONT VIEW

**NOTES:**

- A. Quantity:
- B. Material: H.R. Carbon Steel.
- C. Design Pressure: Atmospheric.
- D. Design Temperature: Ambient.
- E. Built & labeled per U.L. #58 and #1746 Part 3.
- F. Exterior: Min.100 mils FBG jacketed dual-wall Permatank ®
- I. Seal welded striker plates under all openings.
- J. Integral lifting plugs provided.
- K. All fittings to be protected for shipment.
- L. Customer to verify nozzle sizes, locations and quantities.

\*All pages of this Schedule A are incorporated by reference and are a part of the additional terms of the Master Terms & Conditions of Sale.  
[www.newberrytanks.com/masterterms.pdf](http://www.newberrytanks.com/masterterms.pdf)

APPROVAL FOR CONSTRUCTION SCHEDULE A - MASTER TERMS & CONDITIONS OF SALE*		<b>SALES ORDER#</b>	
<input type="checkbox"/> APPROVED AS DRAWN.		 Phone: 870-735-4473 Fax: 870-735-3982	
<input type="checkbox"/> APPROVED WITH NOTED CHANGES, CONSTRUCTION WILL BE SCHEDULED WHEN SIGNED DRAWING AND CONFIRMED ORDER ARE RECEIVED.			
SIGNATURE: _____ DATE: _____		VESSEL DESCRIPTION: 4000 Gallon 64" I.D. x 24'-0" O.A.L. Double Wall Permatank	
CUSTOMER: _____		P.O.# _____	
DATE: _____	SCALE: _____	DWG.# NB04000PRM06407G	DRAWN BY: TC CHKD. BY: _____

This drawing may contain CONFIDENTIAL information and is intended only for the use of the specific individual(s) to which it is addressed.

Newberry Tanks & Equipment, LLC 205 North Walker West Memphis, AR. 72301 870-735-4473 www.newberrytanks.com